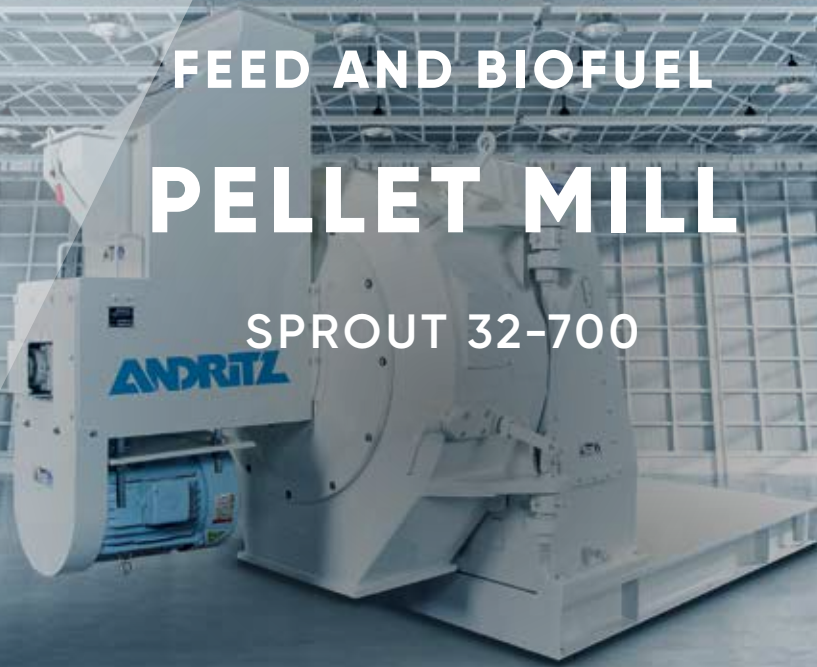




# FEED AND BIOFUEL PELLET MILL

## SPROUT 32-700



Precision built, they deliver quiet, efficient operation at all production levels. The single-reduction gear system in our Sprout gear-driven mills ensures efficient power transfer, resulting in low energy cost per ton and long service life.

Sprout 32-700 gear-driven pellet mill:

- Rugged
- Robust
- High capacity pelleting
- Harsh application pelleting
- 700HP gearbox
- Proven design for over 30 years

# ANDRITZ

ENGINEERED SUCCESS

## FEATURES:

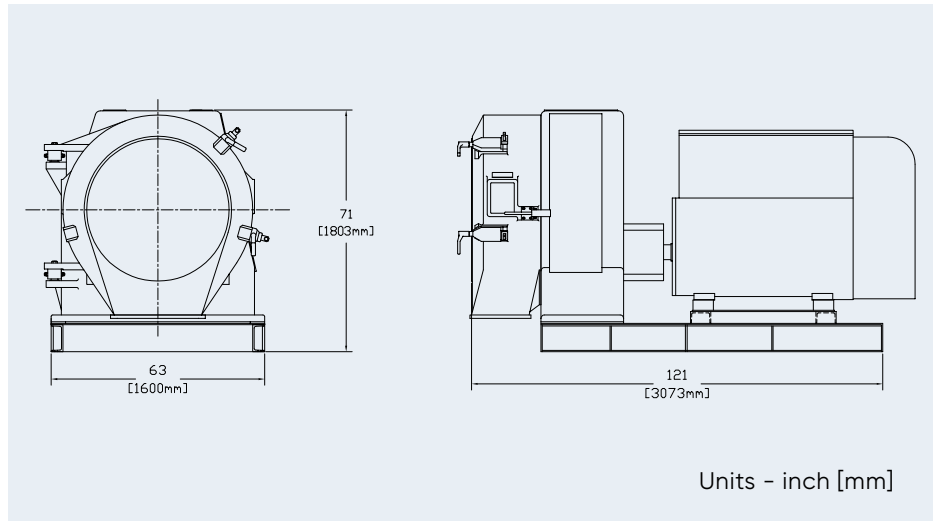
- Mill designed in imperial units = no special metric parts
- Up to 700HP can be applied
- Hardened gears with bull gear that can be reversed for double the life
- Solid stainless steel door left hand or right hand
- Proven for over 30 years in applications as harsh as comgluten feed
- Split tapered die wear rings need no tools to install
- Variety of roll shells to suit all applications
- Adjustable feed plow to feed die evenly
- Keyed interlock on pellet mill door
- Tapered die mount that is reversible

## ANDRITZ MANUFACTURING & SERVICE:

- ANDRITZ manufactures their own dies so there is one source to contact
- ANDRITZ has a staffed service department with trained mechanics
- Manufacturing and engineering at same location in Muncy PA

## OPTIONS:

- Hoist with lifting tools to facilitate quick and easy die and roll change
- Conditioner with optional liquid(s) and/or steam addition
- Auto-grease system for roll and main bearings
- Option of water or air heat exchanger for gear oil cooling
- Automatic roller adjustment (2 rolls)
- Centrifeder to provide even feed to roll assemblies and maximize bearing, roll shell and die life



## TECHNICAL DATA

Model	Max HP	I.D.	Work width	Work area	No. rolls	Weight*
32W-700	700 [522kW]	32 [813mm]	8 in. [203mm]	804 sq. in. [5187 cm <sup>2</sup> ]	3	16,000 lb. [7258 kg]
32XW-700	700 [522kW]	32 [813mm]	10 in. [254mm]	1005 sq. in. [6484 cm <sup>2</sup> ]	3	16,500 lb. [7484 kg]

## ANDRITZ Feed and Biofuel A/S

andritz-fb.dk@andritz.com

p: +45 72 160 300 / andritz.com/ft

## ANDRITZ Feed and Biofuel USA

andritz-fb.us@andritz.com

p: +1 570 546 1253

# ANDRITZ

All data, information, statements, photographs and graphic illustrations in this leaflet are without any obligation and raise no liabilities to or form part of any sales contracts of ANDRITZ AG or any affiliates for equipment and/or systems referred to herein. © ANDRITZ AG 2021. All rights reserved. No part of this copyrighted work may be reproduced, modified or distributed in any form or by any means, or stored in any database or retrieval system, without the prior written permission of ANDRITZ AG or its affiliates. Due to legal requirements, we must inform you that ANDRITZ AG processes your data for the purposes informing you about the ANDRITZ GROUP and its activities. Find out more details about our data privacy declaration and your rights under the data protection legislation on our website: [andritz.com/privacy](https://andritz.com/privacy). ANDRITZ AG, Stattegger Strasse 18, 8045 Graz, Austria.



1 0221